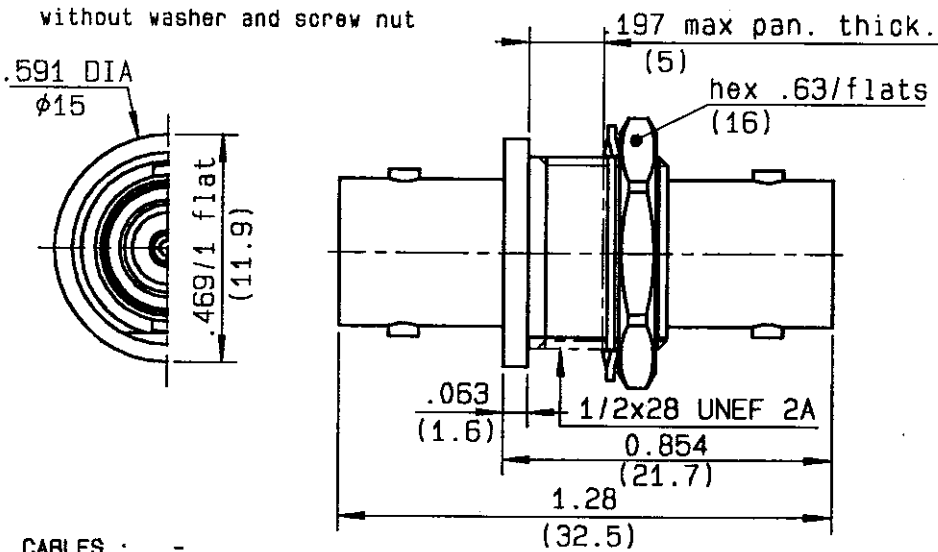




93-0105-027



MOUNTING HOLE

	MM		INCH	
	min	max	min	max
A	12.7	12.8	.5	.504
C	12	12.1	.472	.476

CABLES : -

CHARACTERISTICS

NOMINAL IMPEDANCE	75 Ω
FREQUENCY RANGE	0-1.5 GHz
TEMPERATURE RATING	-35/+70 °C
VSWR	NA + - x F(GHz)Max1
RF INSERTION LOSS	NA √F(GHz) dB Max1
VOLTAGE RATING	500 Vrms Max
DIELECTRIC WITHSTANDING VOLTAGE	1500 Vrms min
INSULATION RESISTANCE	5000 MΩ min
HERMETIC SEAL	- cc/s NA Atm.cm3/s
LEAKAGE (pressurized only)	- psi NA MPa
WEIGHT	0 Oz g

STANDARDISATION

CABLE RETENTION

CENTER CONTACT RETENTION

CABLE RETENTION	0 NA	lb min N
CENTER CONTACT RETENTION		
Axial force - mating end	3.37 ₁₅	lb min N
Axial force - opposite end	3.37 ₁₅	lb min N
Torque (Min)	0 NA	Inch.oz cm.N
RECOMMENDED TORQUES		
Mating	0 NA	inch.lb cm.N
Panel nut	32.74 ₃₇₀	inch.lb cm.N
Clamp nut	0 NA	inch.lb cm.N

CONSTRUCTION

CONNECTOR PARTS	MATERIALS	FINISH
BODY	ZAMAK	80μI NICKEL
OUTER CONTACT	-	-
CENTER CONTACT	BRASS	8μI GOLD OVER 80μI NICKEL
INSULATOR	PTFE	-
WASHER	COPPER	80μI NICKEL
NUT	BRASS	80μI NICKEL
-	-	-
-	-	-
-	-	-

ISSUE	REVISION No	DESCRIPTION	BY	DATE
-	-	-	-	-
-	-	-	-	-
-	-	-	-	-

Initiated on 18/01/96

The information given here is subject to change without notice. Design changes may be in order to improve the product.



Approval by -

Y.PERRIN